

# WTM

## Monoblock Centrifugal Pumps



### FEATURES

- WTM pumps are non-self-priming, single stage, centrifugal volute pumps with axial suction part, radial discharge port and horizontal shaft.
- Inlet and outlet flanges are PN10 in compliance with UNI2236 and DIN2532
- Dimensions and rated performance are according to EN733 (ex DIN 24255) and UNI 7467
- Close-coupled centrifugal pumps, electric motor with extended shaft directly connected to the pump up to 7,5 kW (included) stub-shaft construction for standard motors from 11 kW to 55 kW. Motor performance in compliance with CEI 2-3 / IEC 34.1
- Discharge ports DN32 to DN80
- The pumps are of the back pull-out design enabling removal of the motor, coupling, bearing bracket and impeller without disturbing the pump housing or pipe work.
- Anti-clockwise rotation when facing pumps suction port
- Mechanical seal in compliance with DIN 24960
- Lubricated by internal recirculating pumped liquid
- Maximum operating pressure is 12 Bar
- Maximum liquid temperature -10°C to 85°C, upon request: -20°C to 120°C
- Maximum ambient temperature 40°C
- IP54 protection, insulation class F
- Overload protection
- Counter Flange available on request
- Variable speed by optional "WDRIVE" drive.

### APPLICATIONS

WTM is multi-purpose pump suitable for a variety of different applications demanding reliable and cost-efficient supply. WTM pumps are used in five main fields of application.

#### Water Supply

Besides general water supply in municipal and industrial water works the WTM pumps are used for these specific applications.

- Filtration and transfer at water works
- Pressure boosting in mains
- Pressure boosting in high-rise buildings, hotel, etc.
- Pressure boosting in industrial buildings
- Various swimming bath applications

#### Industrial pressure boosting

- Industrial washing and cleaning systems
- Industrial wash downs systems
- Vehicle washing tunnels
- Fire-fighting systems

#### Industrial Liquid Transfer

- Cooling and air-conditioning systems
- Boiler-feed and condensate systems
- Aqua farming
- Industrial heating systems
- District heating plants

#### HVAC

- Heating Systems
- Ventilation systems
- Air-conditioning systems

#### Irrigation

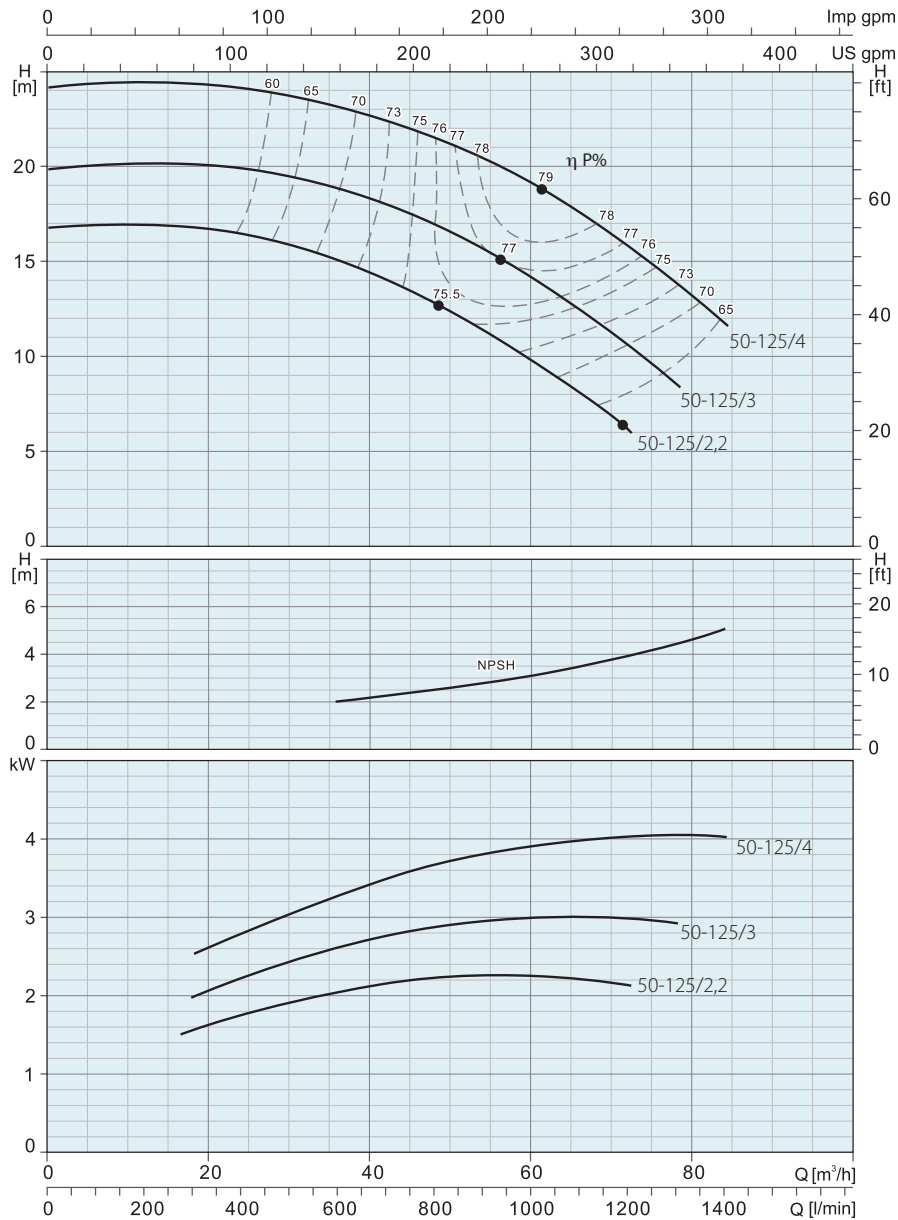
- Field irrigation
- Sprinkler irrigation
- Drip-feed irrigation

# WTM

## Monoblock Centrifugal Pumps

WTM 50/125

2900 rpm



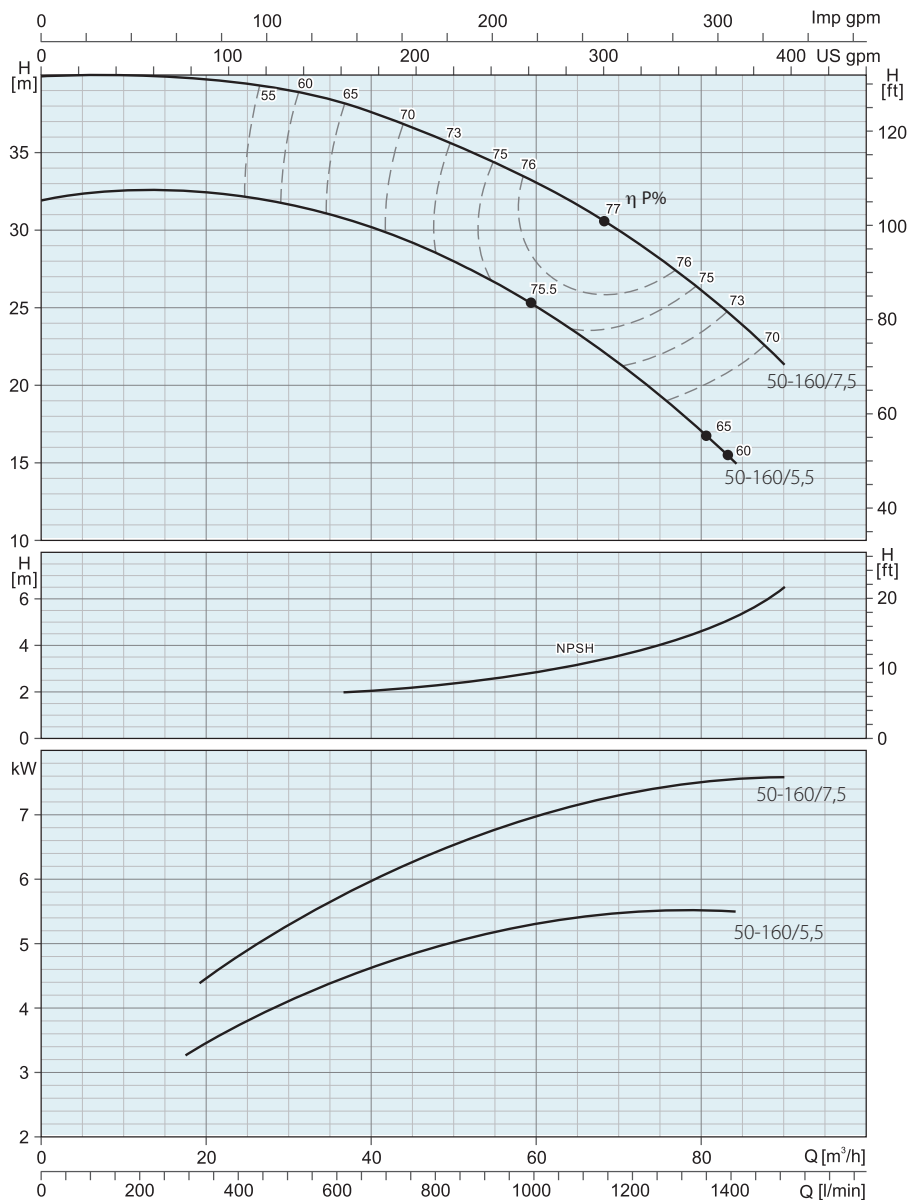
MODEL	3 PH 400 V A	P <sub>2</sub>		l/min Q m³/h	H (m)								Weight kg	Part	Material
		kW	HP		0	600	700	800	900	1200	1400				
WTM 50-125/2,2	4,9	2,2	3		17	15	14	12,7	11,1	6,1	-	48,1	Pump Body	Cast Iron	
WTM 50-125/3	6,5	3	4		20	18,8	17,9	16,8	15,6	10,6	-	51,3	Impeller	Cast Iron	
WTM 50-125/4	9,34	4	5,5		24	23,2	22,3	21,4	20,2	15,5	11,6	55,2	Shaft	AISI 304	
													Mechanical Seal	CA/SIC/NBR	

# WTM

## Monoblock Centrifugal Pumps

WTM 50/160

2900 rpm



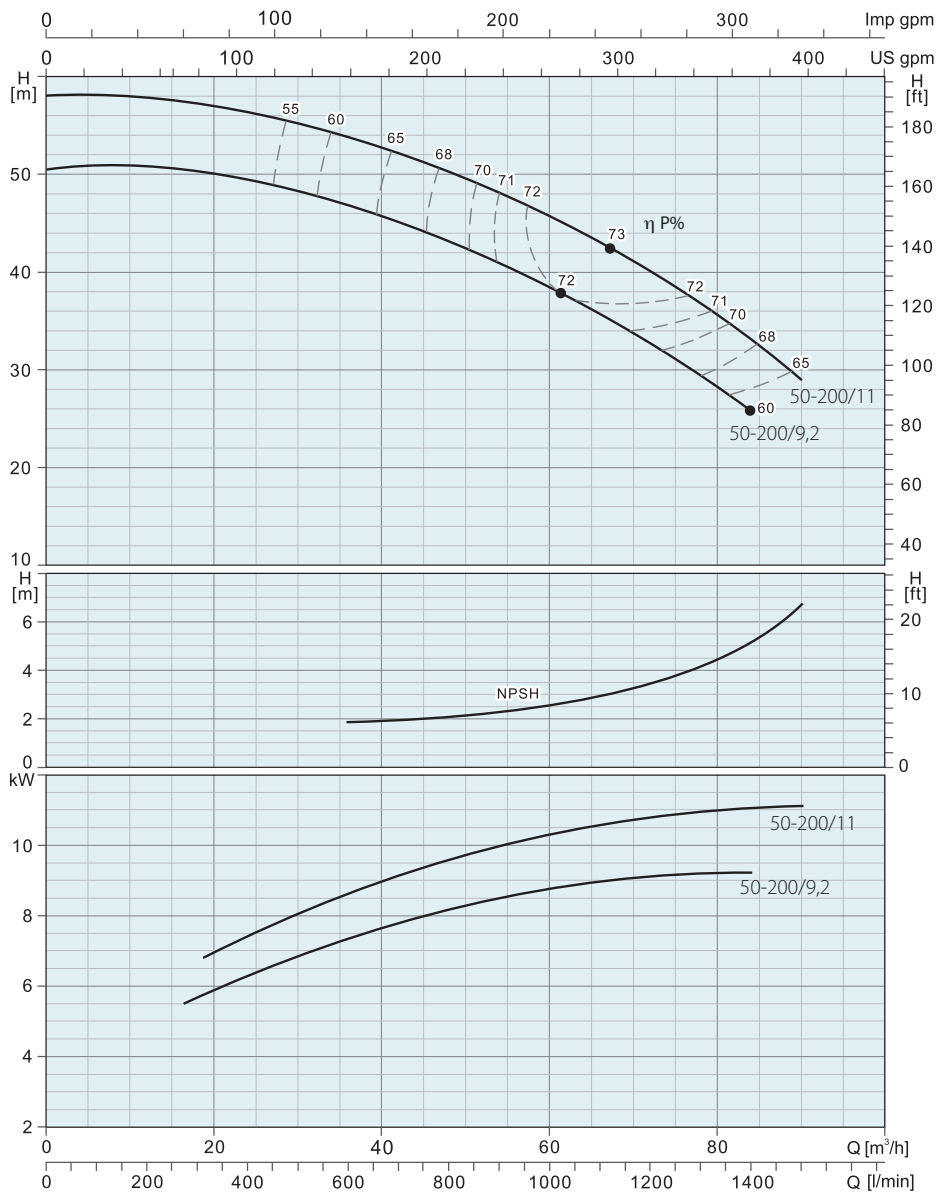
MODEL	3 PH 400 V A	P <sub>2</sub>		l/min Q m³/h	0	600	700	800	900	1200	1400	1500	Weight kg	Part	Material
		kW	HP		0	36	42	48	54	72	84	90			
WTM 50-160/5,5	11,5	5,5	7,5	H (m)	32	30,6	29,5	27,8	26,6	20,5	14,8	-	63	Pump Body	Cast Iron
WTM 50-160/7,5	15,5	7,5	10		40	38	37	35,6	34,2	29	24	21,3	68,8	Impeller	Cast Iron
														Shaft	AISI 304
														Mechanical Seal	CA/SIC/NBR

# WTM

## Monoblock Centrifugal Pumps

WTM 50/200

2900 rpm



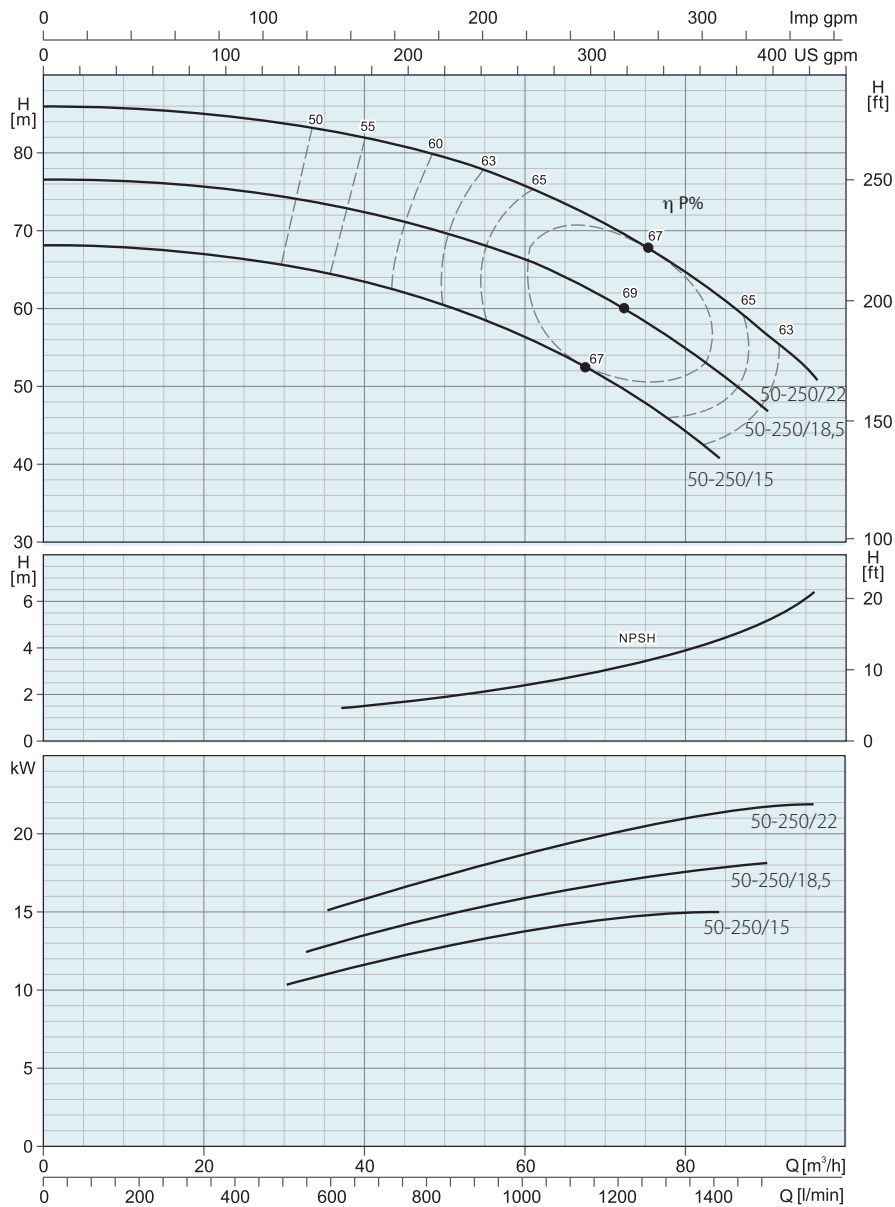
MODEL	3 PH 400 V A	P <sub>2</sub>		l/min Q m³/h	0	600	700	800	900	1200	1400	1500	Weight kg	Part	Material
		kW	HP		0	36	42	48	54	72	84	90			
WTM 50-200/9,2	18,4	9,2	12,5	H (m)	50,5	46,5	45	42,8	40,4	32,2	25,7	-	157,4	Pump Body	Cast Iron
WTM 50-200/11	21,2	11	15		57,5	53,6	51,9	50	47,5	40	32,4	29	157,7	Impeller	AISI 304
														Shaft	AISI 304
														Mechanical Seal	CA/SIC/NBR

# WTM

## Monoblock Centrifugal Pumps

WTM 50/250

2900 rpm

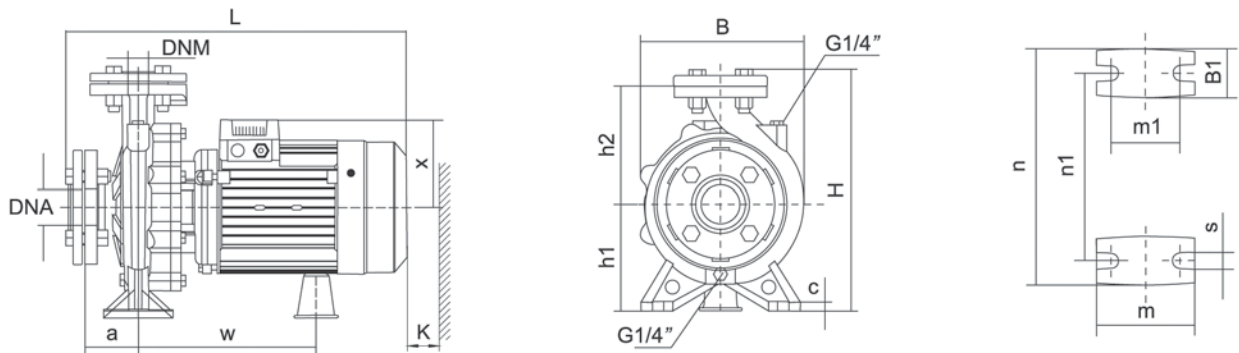


MODEL	3 PH 400 V A	P <sub>2</sub>		l/min Q m³/h	0	600	700	800	900	1200	1400	1500	Weight kg	Part	Material
		kW	HP		0	36	42	48	54	72	84	90			
WTM 50-250/15	28,6	15	20	H (m)	68,5	64	62,9	61	58,4	50	41	-	173,1	Pump Body	Cast Iron
WTM 50-250/18,5	34,6	18,5	25		77	73,2	71,8	70,1	68,1	60,2	51,5	47	191,3	Impeller	AISI 304
WTM 50-250/22	40,9	22	30		86,3	82,9	81,3	79,8	78	69,4	61,9	56,4	216,1	Shaft	AISI 304
														Mechanical Seal	CA/SIC/NBR

# WTM

## Monoblock Centrifugal Pumps

### Dimensions

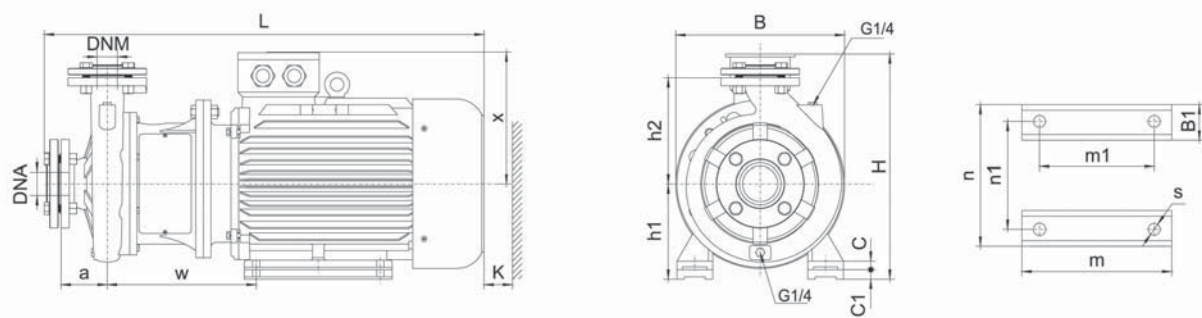


MODEL	DNM	DNA	a	h2	w	x	B1	c	h1	m	m1	n	n1	s	B	H	L	K
WTM 32-125/0,75	32	50	80	140	223	113	48	12	112	100	70	190	140	17	192	281	428	85
WTM 32-125/1,1	32	50	80	140	223	113	48	12	112	100	70	190	140	17	192	281	428	85
WTM 32-160/1,5	32	50	80	160	231	123	50	16	132	100	70	240	190	17	240	321	430	95
WTM 32-160/2,2	32	50	80	160	266	141	50	16	132	100	70	240	190	17	240	321	496	95
WTM 32-160/3	32	50	80	160	266	141	50	16	132	100	70	240	190	17	240	321	496	95
WTM 32-200/3	32	50	80	180	258	127	48	12	132	100	70	240	190	17	248	369	490	95
WTM 32-200/4	32	50	80	180	258	127	48	12	132	100	70	240	190	17	248	369	490	95
WTM 32-250/5,5	32	50	100	230	254	180	65	14	180	125	95	320	250	17	320	439	557	60
WTM 32-250/7,5	32	50	100	230	254	180	65	14	180	125	95	320	250	17	320	439	587	60
WTM 40-125/1,1	40	65	80	140	255	127	45	12	112	100	70	210	160	17	218	282	489	95
WTM 40-125/1,5	40	65	80	140	225	127	45	12	112	100	70	210	160	17	218	282	489	95
WTM 40-125/2,2	40	65	80	140	225	127	45	12	112	100	70	210	160	17	218	282	489	95
WTM 40-160/3	40	65	80	168	238	127	48	12	132	100	70	240	190	17	249	330	494	105
WTM 40-160/4	40	65	80	168	238	127	48	12	132	100	70	240	190	17	249	330	494	105
WTM 40-200/5,5	40	65	100	180	259	180	50	12	160	100	70	264	212	17	275	370	553	105
WTM 40-200/7,5	40	65	100	180	259	180	50	12	160	100	70	264	212	17	275	370	583	105
WTM 50-125/2,2	50	65	100	160	262	127	50	12	132	100	70	260	190	17	243	322	518	100
WTM 50-125/3	50	65	100	160	262	127	50	12	132	100	70	260	190	17	243	322	518	100
WTM 50-125/4	50	65	100	160	262	127	50	12	132	100	70	260	190	17	243	322	518	100
WTM 50-160/5,5	50	65	100	180	262	180	52	12	160	100	70	264	212	17	272	370	556	100
WTM 50-160/7,5	50	65	100	180	262	180	52	12	160	100	70	264	212	17	272	370	586	100
WTM 65-125/4	50	65	100	180	265	180	68	14	160	125	95	280	212	17	283	372	564	100
WTM 65-125/5,5	50	65	100	180	265	180	68	14	160	125	95	280	212	17	283	372	564	100
WTM 65-125/7,5	50	65	100	180	265	180	68	14	160	125	95	280	212	17	283	372	594	100

# WTM

## Monoblock Centrifugal Pumps

### Dimensions

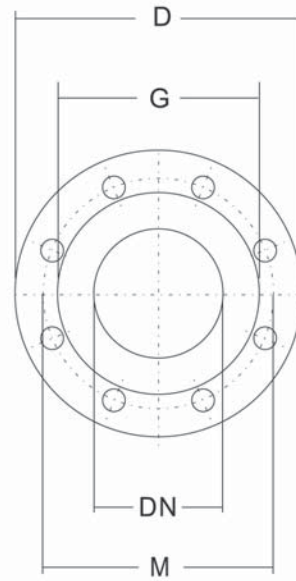
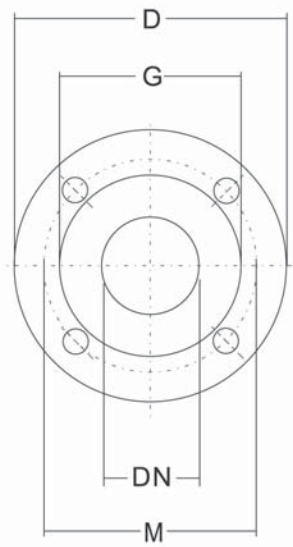


MODEL	DNM	DNA	a	h2	w	x	B1	C	C1	h1	m	m1	n	n1	s	B	H	L	K
WTM 40-250/9,2	40	65	100	225	310	260	65	20	20	180	260	210	320	254	15	350	440	845	110
WTM 40-250/11	40	65	100	225	310	260	65	20	20	180	260	210	320	254	15	350	440	845	110
WTM 40-250/15	40	65	100	225	310	260	65	20	20	180	260	210	320	254	15	350	440	845	110
WTM 50-200/9,2	50	65	100	200	310	260	65	20	-	160	260	210	320	254	15	350	420	845	120
WTM 50-200/11	50	65	100	200	310	260	65	20	-	160	260	210	320	254	15	350	420	845	120
WTM 50-250/15	50	65	100	225	310	260	65	20	20	180	260	210	320	254	15	350	440	845	110
WTM 50-250/18,5	50	65	100	225	310	260	65	20	20	180	304	254	320	254	15	350	440	895	110
WTM 50-250/22	50	65	100	225	323	275	70	25	-	180	311	241	355	279	15	350	455	925	110
WTM 65-160/9,2	65	80	100	200	310	260	65	20	-	160	260	210	320	254	15	350	420	845	125
WTM 65-160/11	65	80	100	200	310	260	65	20	-	160	260	210	320	254	15	350	420	845	125
WTM 65-160/15	65	80	100	200	310	260	65	20	-	160	260	210	320	254	15	350	420	845	125
WTM 65-200/15	65	80	100	225	310	260	65	20	20	180	260	210	320	254	15	350	440	845	125
WTM 65-200/18,5	65	80	100	225	310	260	65	22	20	180	304	254	320	254	15	350	440	895	125
WTM 65-200/22	65	80	100	225	323	275	70	25	-	180	311	241	355	279	15	355	455	925	125
WTM 65-250/22	65	80	100	250	253	275	70	25	-	180	311	241	355	279	15	355	455	956	125
WTM 65-250/30	65	80	100	250	365	305	70	30	-	200	369	305	395	318	19	400	505	1026	125
WTM 65-250/37	65	80	100	250	365	305	70	30	-	200	369	305	395	318	19	400	505	1026	125
WTM 80-160/11	80	100	125	225	315	260	65	20	-	160	260	210	320	254	15	350	420	870	130
WTM 80-160/15	80	100	125	225	315	260	65	20	-	160	260	210	320	254	15	350	420	870	130
WTM 80-160/18,5	80	100	125	225	315	260	65	20	-	160	304	254	320	254	15	350	420	926	120
WTM 80-200/22	80	100	125	250	352	275	70	25	-	180	311	241	355	279	15	355	461	946	120
WTM 80-200/30	80	100	125	250	365	305	70	30	-	200	369	305	395	318	15	400	505	1016	120
WTM 80-250/37	80	100	125	280	365	305	70	30	-	200	369	305	395	318	15	400	508	1016	120
WTM 80-250/45	80	100	125	280	381	330	75	30	-	225	404	311	435	356	19	450	555	1067	120
WTM 80-250/55	80	100	125	280	433	365	80	30	30	280	450	349	490	406	24	550	646	1160	120

# WTM

## Monoblock Centrifugal Pumps

### Dimensions



### PN16 Flanges

DN	D	M	G	Holes		Max. Thickness
				N°	Ø	
32	140	100	78	4	18	18
40	150	110	88	4	18	18
50	165	125	102	4	18	20
65	185	145	122	4	18	20

### PN16 Flanges

DN	D	M	G	Holes		Max. Thickness
				N°	Ø	
80	200	160	138	8	18	22
100	220	180	158	8	18	22